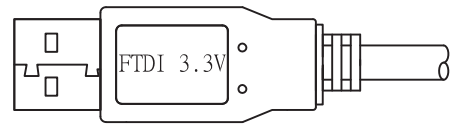
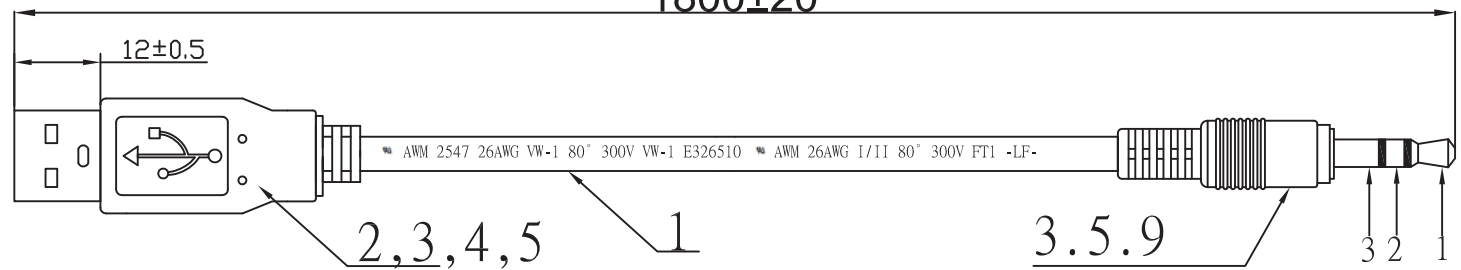
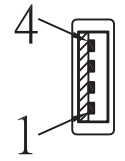


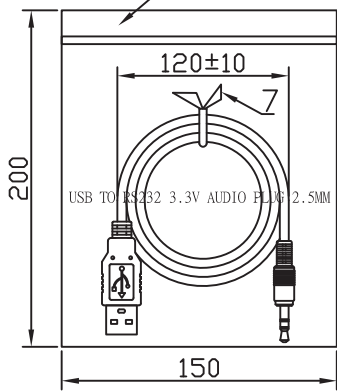
1800±20

P1

P2



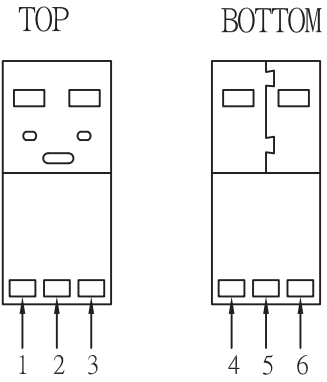
热封口



模具编号：P-38

- NOTES:
- 1.ELECTRICAL TEST:100%OPEN, SHORT&MIS WIRE TEST.
 - 2.CONTACT RESISTANCE:0.5ohm,
 - 3.INSULATOR RESISTANCE:5M ohm.
 - 4.HIGH VOLTAGE:DC 300V 0.01sec.
 - 5.MUST BE ROHS COMPLIANT.

TTL-RS232-PCB



PIN WIRING

P1	P2
1	RED(3.3V) (VCC)
2	ORANGE 1(TXD)
3	YELLOW 2(RXD)
4	GREEN (RTS#)
5	BLACK 3(GND)
6	BROWN (CTS#)

⑨	B.04025M.0N01R	CONNECTOR	AUDIO PLUG 2.5MM*4.5 3-POLE SHELL NICKEL PLATING PLASTIC: BLACK	1	PCS
⑧	I.150200.0308R	PE BAG	200*150*0.04MM PE BAG PRINTED BLACK"USB TO RS232 3.3V AUDIO PLUG 2.5MM	1	PCS
⑦	F.0501B0.0100R	TUBE	∅5.5*20mm HEAT TUBE COLOR BLACK	1	PCS
⑥	I.000001.0400R	TIE	TIE BLACK L=70MM	1	PCS
⑤	C.045P01.0100R	MOLDING	PVC 45P BLACK	12.5	G
④	C.000000.0000R	MOLDING	PE	2.5	G
③	J.000008.0500R	TIN WIRE	TIN WIRE OD:0.8MM	3.5	G
②	B.01004M.0N06R	CONNECTOR	TTL-RS232-PCB(3.3V) USB A/M CONNECTOR PLASTIC:BLACK	1	PCS
①	A.027X01.0202R	CABLE	UL2547 26AWG(7/0.16TC)*2C+S(44/0.10TC) PVC JACKET COLOR:BLACK OD=3.5±0.1mm L=1780MM	1	PCS
NO.	PART NO	ITEM	DESCRIPTION	Q'TY	UNIT

DELLOCK® we move the world	
Title: Cable USB TTL male > 2.5 mm 3 pin stereo jack male 3.3 V	
Dat	2015 / 09 / 09
Unit	mm
Projection	
Rev	A
Item no.	83789
Barcode	4043619837892
File No.	88203

1 2 3 4 5 6