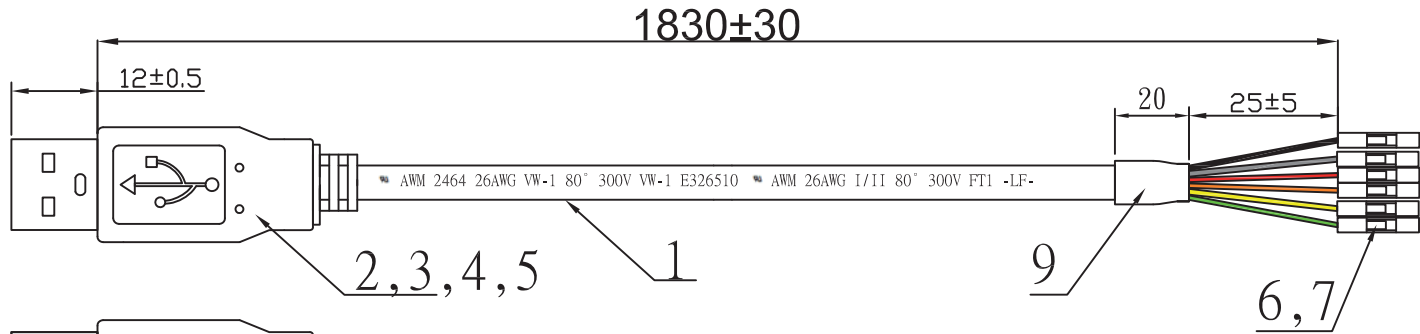
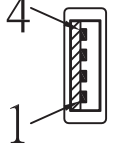
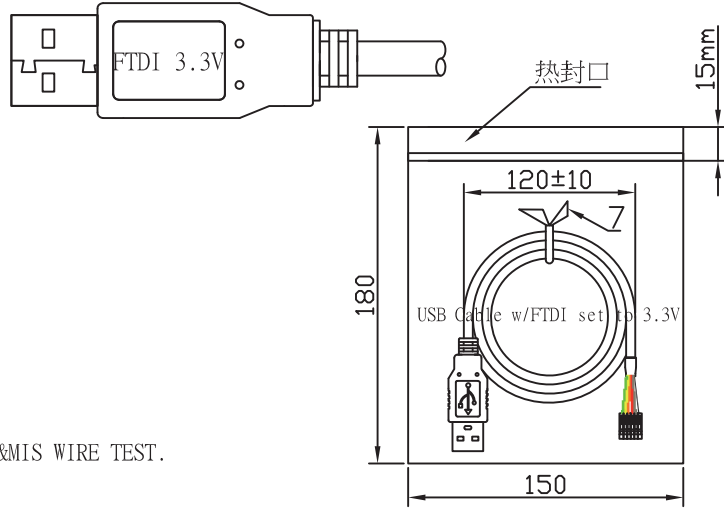


P1

P2



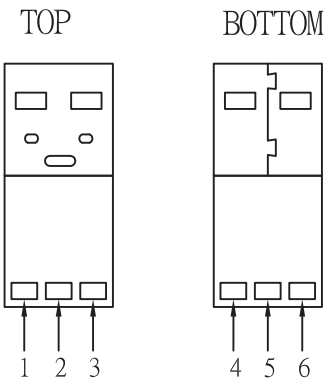
GND
RXD
VCC
TXD
RTS#
CTS#



模具编号：P-38

- NOTES:
- 1.ELECTRICAL TEST:100%OPEN,SHORT&MIS WIRE TEST.
 - 2.CONTACT RESISTANCE:0.5ohm,
 - 3.INSULATOR RESISTANCE:5M ohm.
 - 4.HIGH VOLTAGE:DC 300V 0.01sec.
 - 5.MUST BE ROHS COMPLIANT.

TTL-RS232-PCB



PIN WIRING

P1		P2
1	RED(3V3)	3(VCC)
2	ORANGE	4(TXD)
3	YELLOW	5(RXD)
4	GREEN	6(RTS#)
5	BLACK	1(GND)
6	BROWN	2(CTS#)

NO	PART NO	ITEM	DESCRIPTION	QTY	UNIT
⑩	L.180150.0300R	PE BAG	180*150*0.04MM PE BAG PRINTED BLACK FONT" USB Cable w/FTDI set to 3.3V"	1	PCS
⑨	F.0501B0.0100R	TUBE	∅5.5*20mm HEAT TUBE COLOR BLACK	1	PCS
⑧	I.000001.0400R	TIE	TIE BLACK L=70MM	1	PCS
⑦	E.00254M.0100R	HOUSING	Dupont 2.54mm 1*1P HOUSING	6	PCS
⑥	D.00254F.1400R	TERMINAL	Dupont 2.54mm TERMINAL	6	PCS
⑤	C.045P01.0100R	MOLDING	PVC 45P BLACK	5.5	G
④	C.000000.0000R	MOLDING	PE	2.5	G
③	J.000008.0500R	TIN WIRE	TIN WIRE OD:0.8MM	3.5	G
②	B.01004M.0N06R	CONNECTOR	TTL-RS232-PCB(3.3V) USB A/M CONNECTOR PLASTIC:BLACK	1	PCS
①	A.009X01.0603R	CABLE	UL2464 26AWG(7/0.16TC)*6C(RED,ORANGE,GREEN BLACK,YELLOW,BROWN)+AL FOIL PVC JACKET COLOR:BLACK OD=5.0±0.1mm L=1830MM	1	PCS

DELICK®
we move the world

Title: Cable USB male > TTL 6 pin
pin header female separate 3.3 V

Dat	2015 / 09 / 10	Item no.	83787
Unit	mm	Barcode	4043619837878
Rev	A	File No.	88203

Dat	2015 / 09 / 10
Unit	mm
Projection	
Rev	A