

8 7 6 5 4 3 2 1

F F

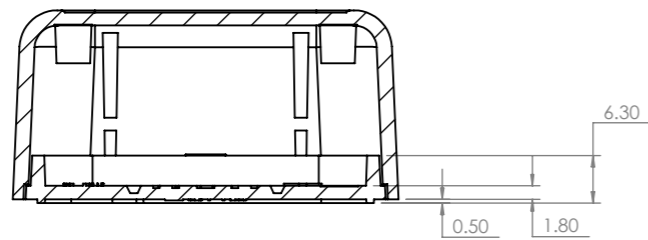
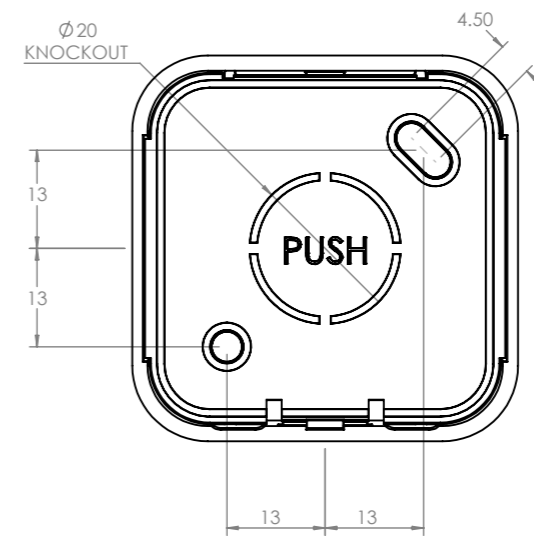
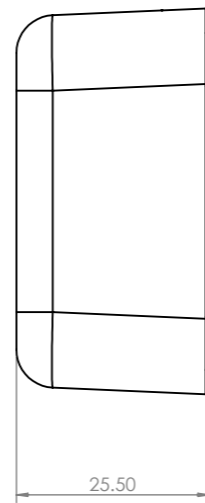
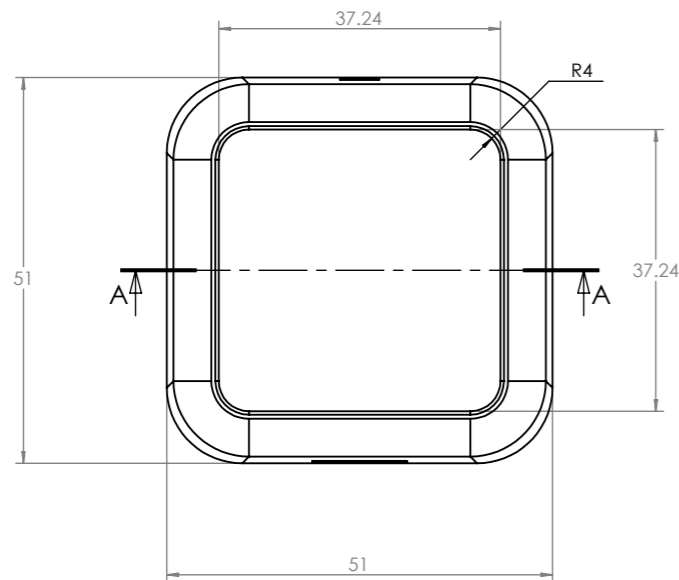
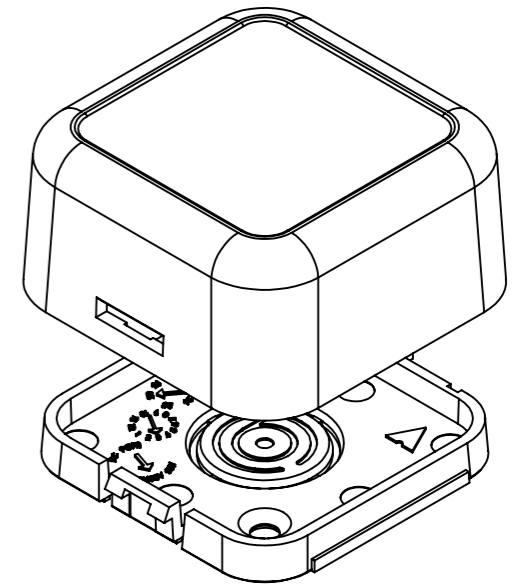
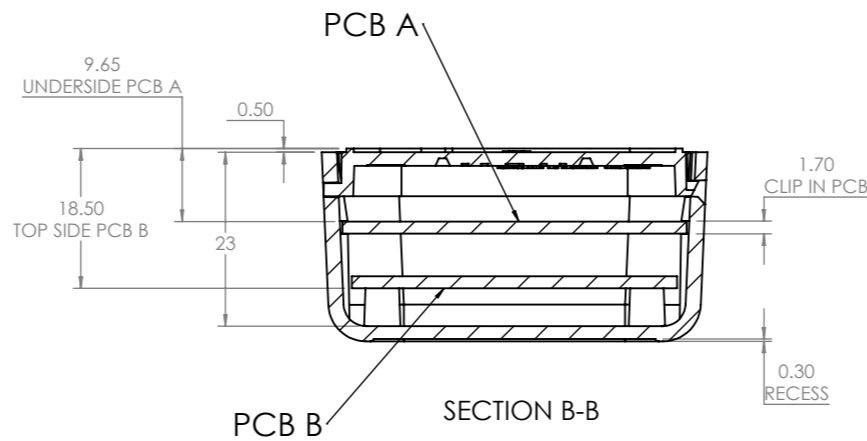
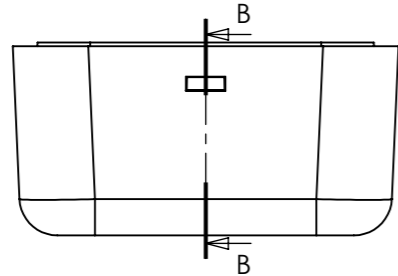
E E

D D

C C

B B

A A



SECTION A-A

COLOUR	RAL
BLACK	9005
LIGHT GREY	7047
WHITE	9003

REVISION	DATE	ECR	DESCRIPTION	NAME	CHK'D
05	08.01.20	-	FIRST PRODUCTION RELEASE	S.HARDINGE	I.PAGANO

CAMDENBOSS
CONNECT. ENCLOSE. INNOVATE.

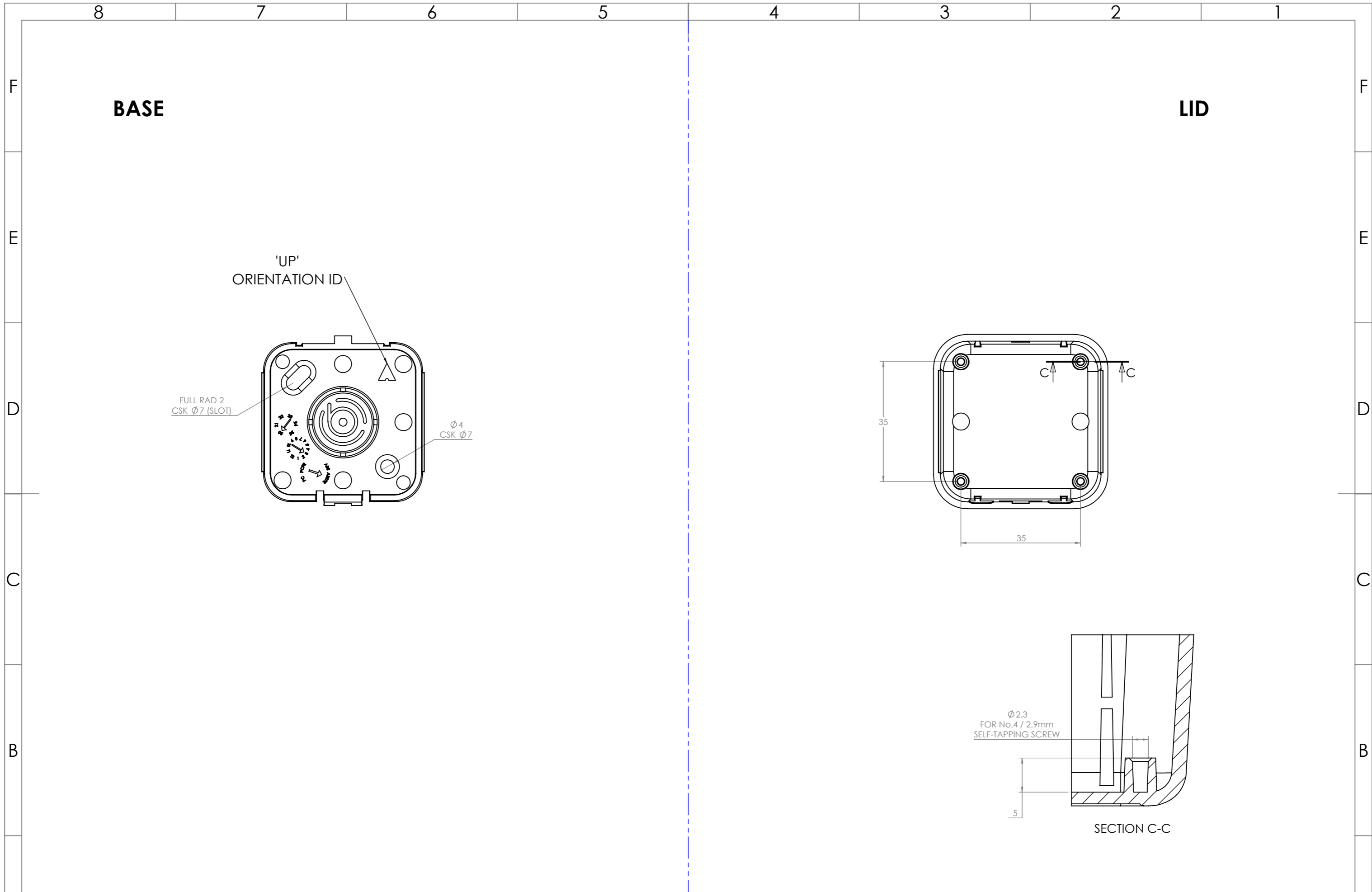
DRAWING UNITS: MILLIMETERS
TOLERANCES: +/-0.2


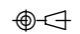
PROJECTION

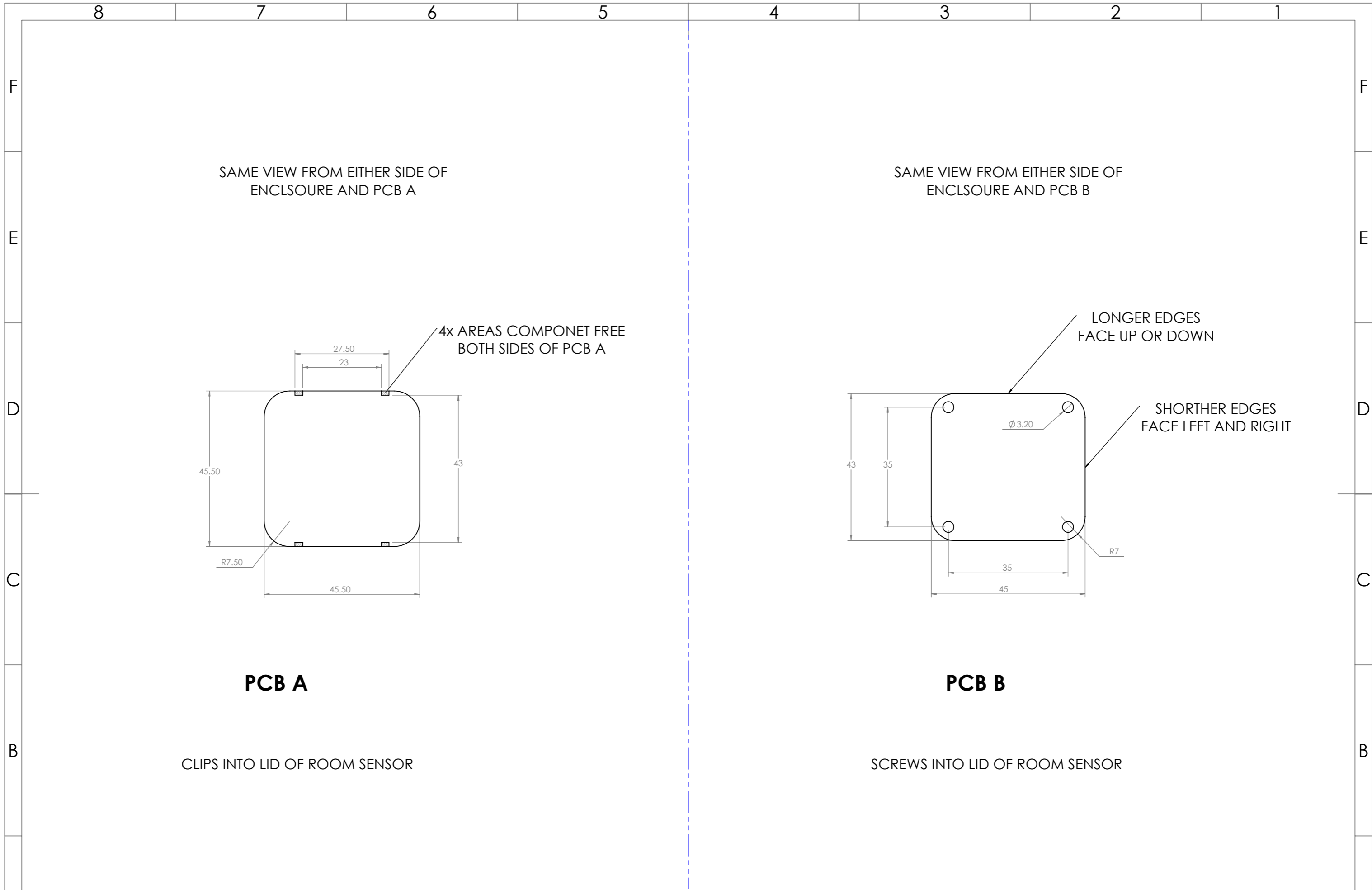
COLOUR:	SEE TABLE	DEBURR AND BREAK SHARP EDGES	DO NOT SCALE DRAWING
FINISH:	VDI 30 EXTERNAL & VDI 15 RECESS	TITLE: GNL ASSY DRG FOR SOLID TOP ROOM SENSOR SIZE 3	
MATERIAL:	UL94-V0 ABS	DWG NO.	CBR503Sxx

SCALE:	1:1
SHEET 1 OF 3	
A3	

8 7 6 5 4 3 2 1



-			-			 CAMDENBOSS <small>CONNECT. ENCLOSE. INNOVATE.</small>		COLOUR: SEE TABLE		DEBURR AND BREAK SHARP EDGES		DO NOT SCALE DRAWING		SCALE: 1:1
-			-					FINISH: VDI 30 EXTERNAL & VDI 15 RECESS		TITLE: GNL ASSY DRG FOR SOLID TOP ROOM SENSOR SIZE 3				
-			-					MATERIAL: UL94-V0 ABS		DWG NO. CBR03Sxx		SHEET 2 OF 3		A3
05	08.01.20	-	FIRST PRODUCTION RELEASE			S.HARDINGE	I.PAGANO	DRAWING UNITS: MILLIMETERS		PROJECTION				
REVISION	DATE	ECR	DESCRIPTION			NAME	CHK'D	TOLERANCES: +/-0.2						



						CAMDENBOSS <small>CONNECT. ENCLOSE. INNOVATE.</small>	COLOUR: SEE TABLE	DEBURR AND BREAK SHARP EDGES	DO NOT SCALE DRAWING	SCALE: 1:1	
							FINISH: VDI 30 EXTERNAL & VDI 15 RECESS	TITLE: GNL ASSY DRG FOR SOLID TOP ROOM SENSOR SIZE 3			SHEET 3 OF 3
05	08.01.20	-	FIRST PRODUCTION RELEASE	S.HARDINGE	I.PAGANO		DRAWING UNITS: MILLIMETERS TOLERANCES: +/-0.2	PROJECTION	MATERIAL: UL94-V0 ABS	DWG NO.	A3
REVISION	DATE	ECR	DESCRIPTION	NAME	CHK'D				CBR03Sxx		