

8 7 6 5 4 3 2 1

F F

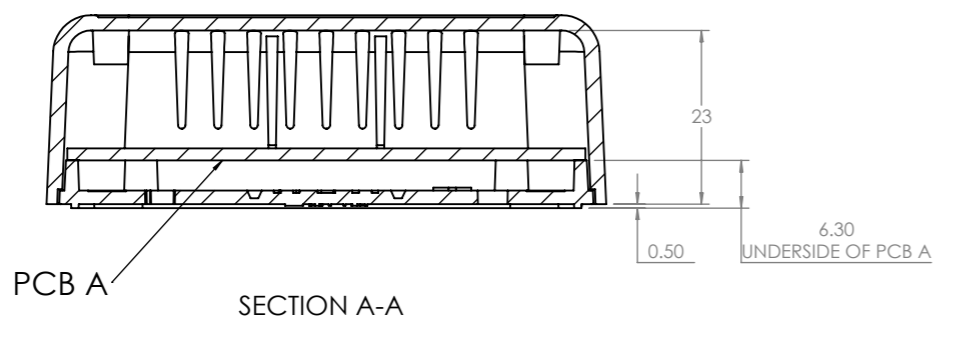
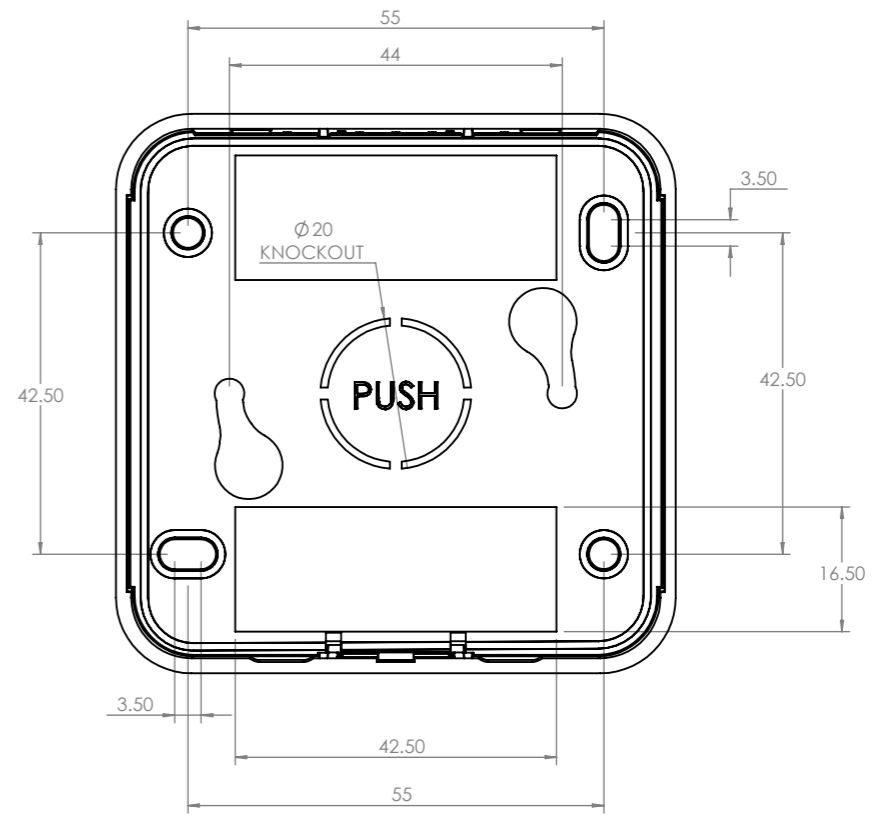
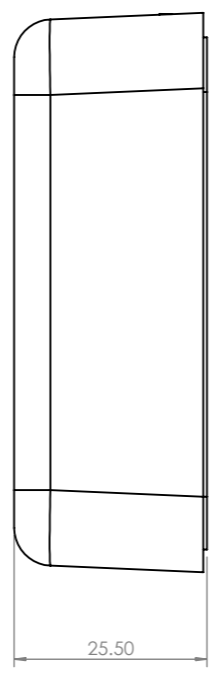
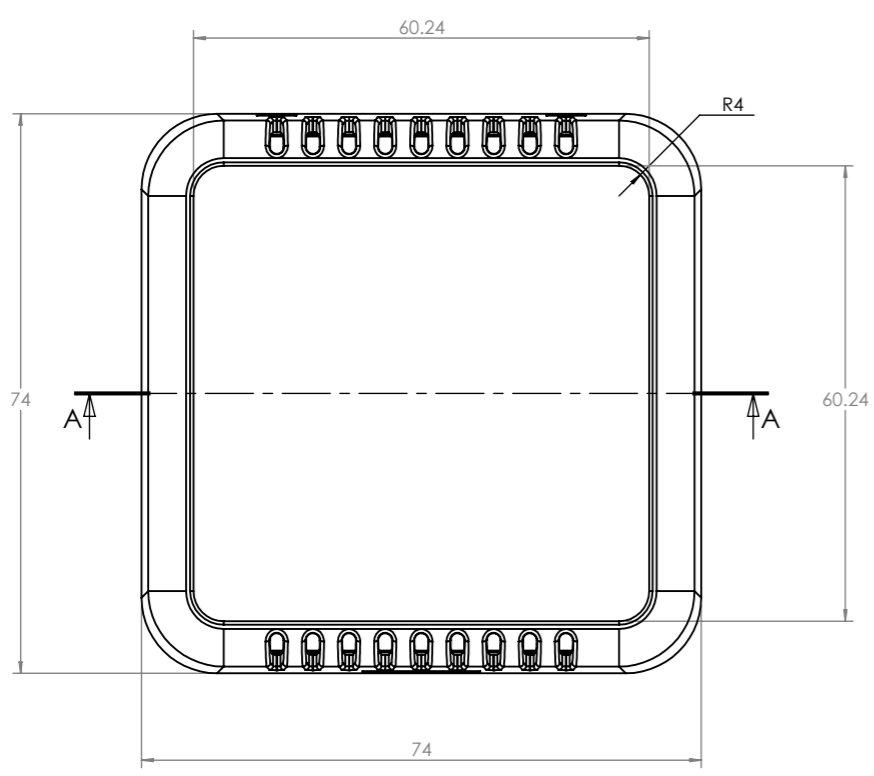
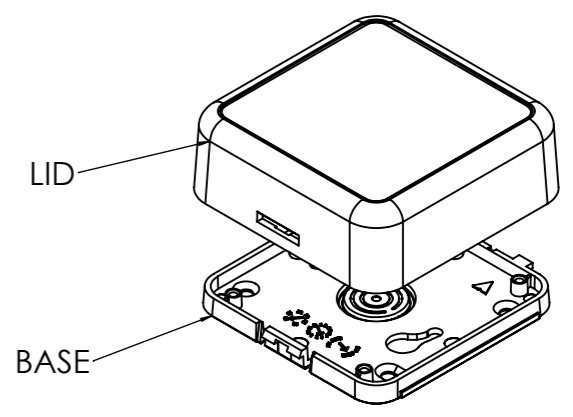
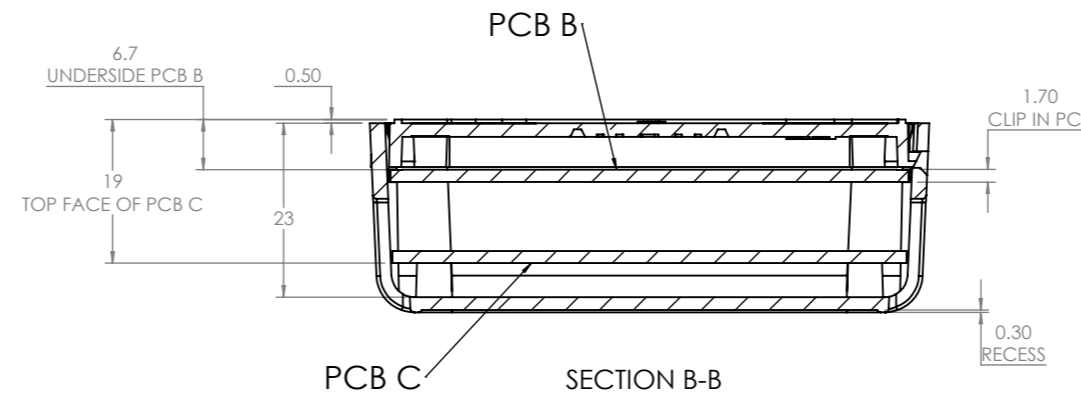
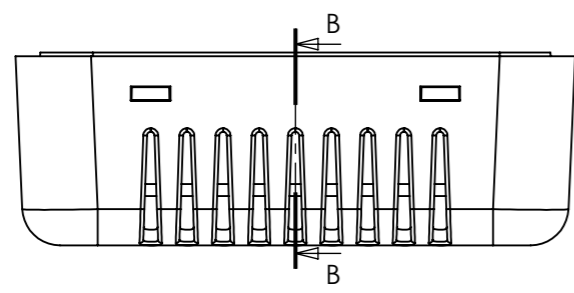
E E

D D

C C

B B

A A



COLOUR	RAL
BLACK	9005
LIGHT GREY	7047
WHITE	9003

REVISION	DATE	ECR	DESCRIPTION	S.HARDINGE NAME	I.PAGANO CHK'D
5	08.01.20	-	FIRST PRODUCTOIN RELEASE	S.HARDINGE	I.PAGANO

CAMDENBOSS
CONNECT. ENCLOSE. INNOVATE.

DRAWING UNITS: MILLIMETERS
TOLERANCES: +/-0.2

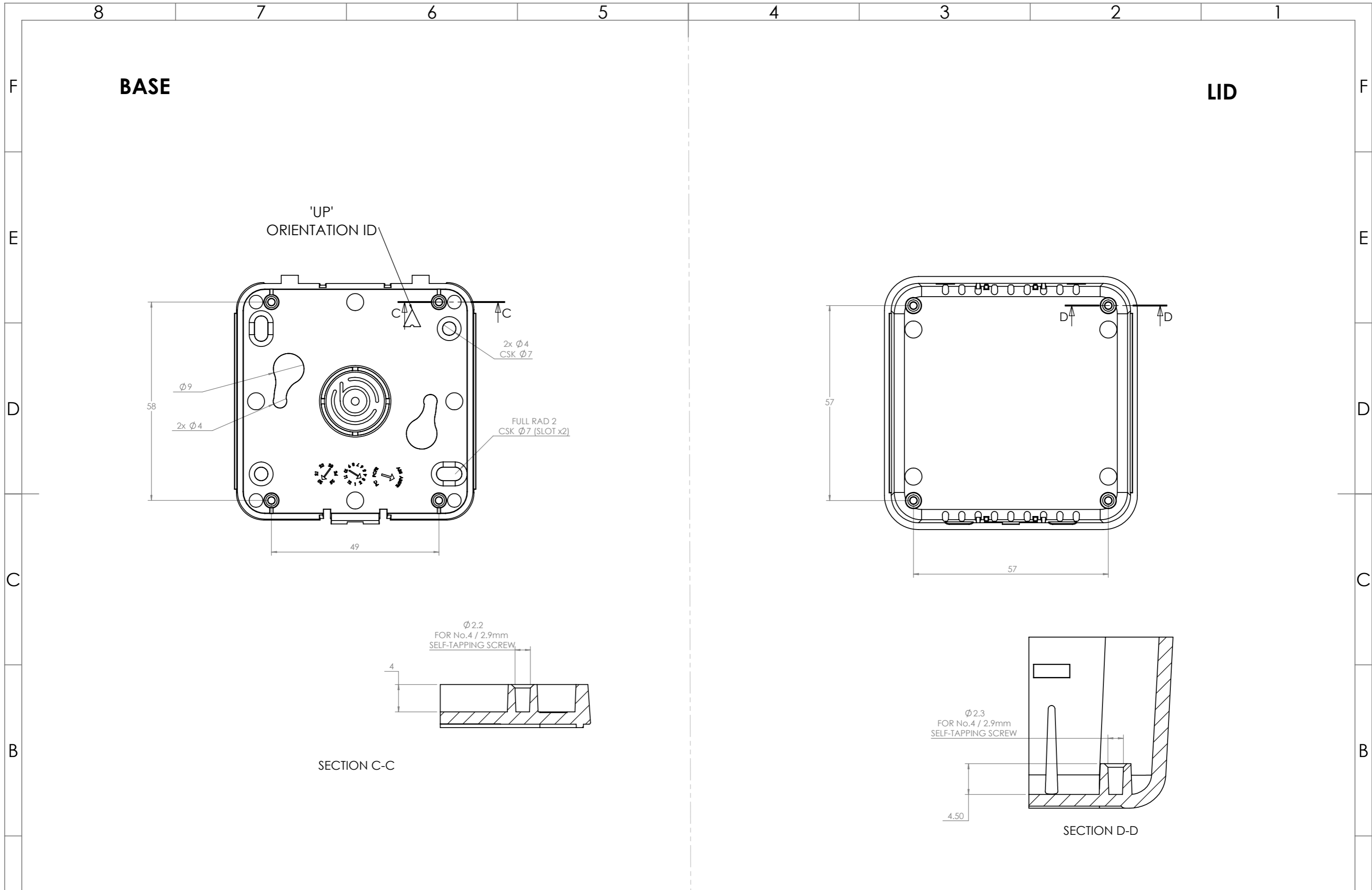
PROJECTION

COLOUR:	SEE TABLE
FINISH:	VDI 30 EXTERNAL & VDI 15 RECESS
MATERIAL:	UL94-V0 ABS

DEBURR AND BREAK SHARP EDGES	DO NOT SCALE DRAWING
TITLE:	GNL ASSY DRG FOR VENTED TOP ROOM SENSOR SIZE 2
DWG NO.	CBR02Vxx

SCALE:	1:1
SHEET	1 OF 3
SIZE	A3

8 7 6 5 4 3 2 1



-			-			-			COLOUR: SEE TABLE	DEBURR AND BREAK SHARP EDGES	DO NOT SCALE DRAWING	SCALE: 1:1
-			-			-			FINISH: VDI 30 EXTERNAL & VDI 15 RECESS	TITLE: GNL ASSY DRG FOR VENTED TOP ROOM SENSOR SIZE 2		
5	08.01.20	-	FIRST PRODUCTIOIN RELEASE			S.HARDINGE	I.PAGANO		DRAWING UNITS: MILLIMETERS	PROJECTION	MATERIAL: UL94-V0 ABS	DWG NO. CBR02Vxx
REVISION	DATE	ECR	DESCRIPTION			NAME	CHK'D	TOLERANCES: +/-0.2				

