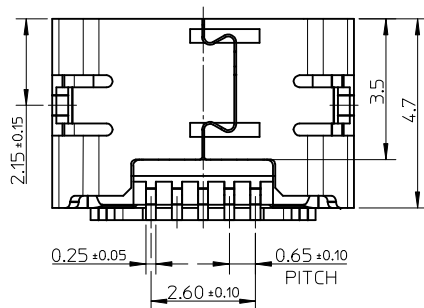
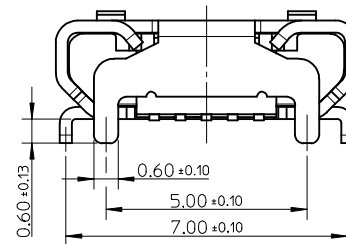
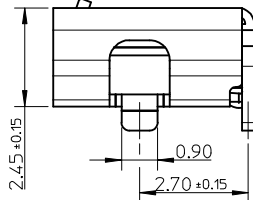
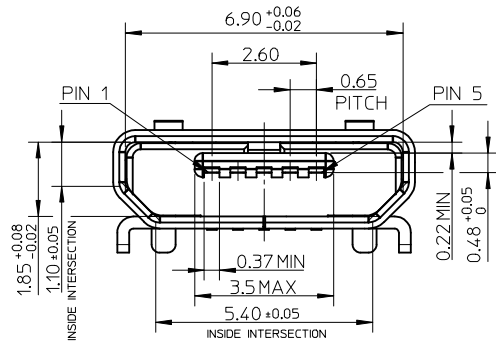


NOTES:

1. MATERIAL:
 HOUSING: LCP, BLACK, UL94V-0;
 TERMINAL: COPPER ALLOY, THICKNESS: 0.15mm;
 SHELL: STAINLESS STEEL, THICKNESS: 0.30mm.
2. PLATING:
 TERMINAL: CONTACT AREA: GOLD FLASH OVER MINIMUM 0.75MICRON Pd/Ni.
 SOLDER TAIL AREA: GOLD FLASH.
 UNDER PLATING: NICKEL 2.0 MICRON MINIMUM.
 SHELL: MATTE TIN 3.8 MICRON
 UNDER PLATING: NICKEL 1.27 MICRON MINIMUM.
3. TAIL & NAIL COPLANARITY 0.08mm MAXIMUM.
4. PRODUCT SPECIFICATION: PS-105017-001.
5. PACKAGING SPECIFICATION: PK-105017-001.
6. COMPLIANT TO RoHS DIRECTIVE 2002/95/EC AND ELV DIRECTIVE 2000/53/EC.



SEE SHEET 1 EC NO: SH2013-0168 TDRW: XQZHANG 2012/12/04 CHKD: XQZHANG 2012/12/04 APPR: AYIN 2012/12/10	QUALITY SYMBOLS F ₀ = 0 F ₀ = 0 F ₀ = 0	GENERAL TOLERANCES (UNLESS SPECIFIED)		DIMENSION STYLE MM ONLY		SCALE 1:1	DESIGN UNITS METRIC	THIRD ANGLE PROJECTION	
			mm	INCH	DRAWN BY	DATE	TITLE		
		4 PLACES	± ---	± ---	XJSONG	2008/01/23	MICRO USB BOTTOM MOUNT RECEPTACLE, B TYPE FLANGELESS TYPE		
		3 PLACES	± ---	± ---	CHECKED BY	DATE			
2 PLACES	± 0.25	± ---	JTIAN	2008/01/23	molex				
1 PLACE	± 0.25	± ---	APPROVED BY	DATE					
0 PLACE	± ---	± ---	HWANG	2008/01/23	MATERIAL NO. 105017-1001		DOCUMENT NO. SD-105017-001	SHEET NO. 2 OF 2	
DRAFT WHERE APPLICABLE MUST REMAIN WITHIN DIMENSIONS		ANGULAR ± 3 °		THIS DRAWING CONTAINS INFORMATION THAT IS PROPRIETARY TO MOLEX INCORPORATED AND SHOULD NOT BE USED WITHOUT WRITTEN PERMISSION					