

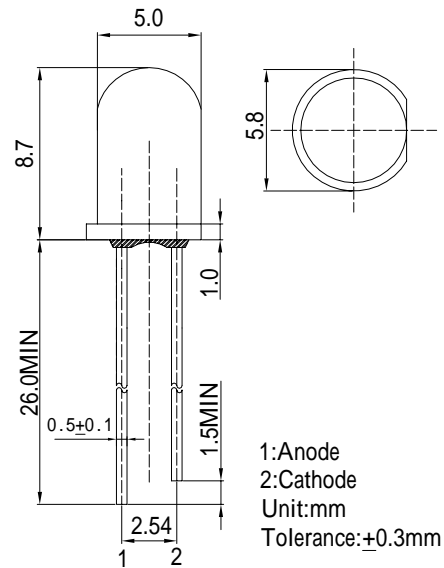
Features

- High Luminous LEDs
- 5mm Round Standard Directivity
- Superior Weather-resistance
- Bi-Color Flashing Type
- White Diffused Type

Applications

- Toys
- Games
- Audio
- Other Lighting

Outline Dimension

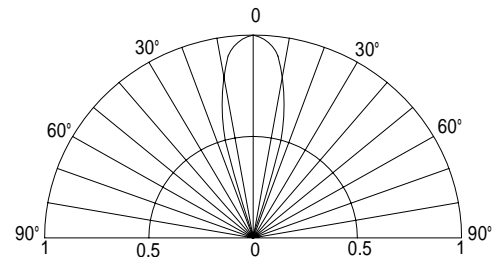


■ Absolute Maximum Rating (Ta=25 °C)

Item	Symbol	Value	Unit
Oscillator Frequency	Fled	1.8	Hz
Power Supply	Voltage	4.5	V
Operating Temperature	Topr	-30 ~ +85	
Storage Temperature	Tstg	-40 ~ +100	
Lead Soldering Temperature	Tsol	260 /5sec	-

*Pulse width Max.10ms Duty ratio max 1/10

■ Directivity



■ Electrical -Optical Characteristics (Ta=25 °C)

Item	Symbol	Conditio	Min.	Typ.	Max.	Unit
DC Forward Voltage	Vdd	I _F =20mA	3.0	3.3	4.5	V
DC Reverse Current	I _R	V _R =5V	-	-	10	μA
Domi. Wavelength*	λ _D (Blue)	I _F =20mA	465	470	475	nm
Chromaticity Coordinates*	x	I _F =20mA	-	0.31	-	
	y	I _F =20mA	-	0.34	-	
Luminous Intensity*	I _v (Blue)	I _F =20mA	1120	1560	-	mcd
	I _v (White)	I _F =20mA	1120	1560	-	mcd
50% Power Angle	2θ _{1/2}	I _F =20mA	-	30	-	deg

*1 Tolerance of dominant wavelength is ± 1 nm

*2 Tolerance of Chromaticity Coordinates $\pm 10\%$

*3 Tolerance of luminous intensity is $\pm 15\%$