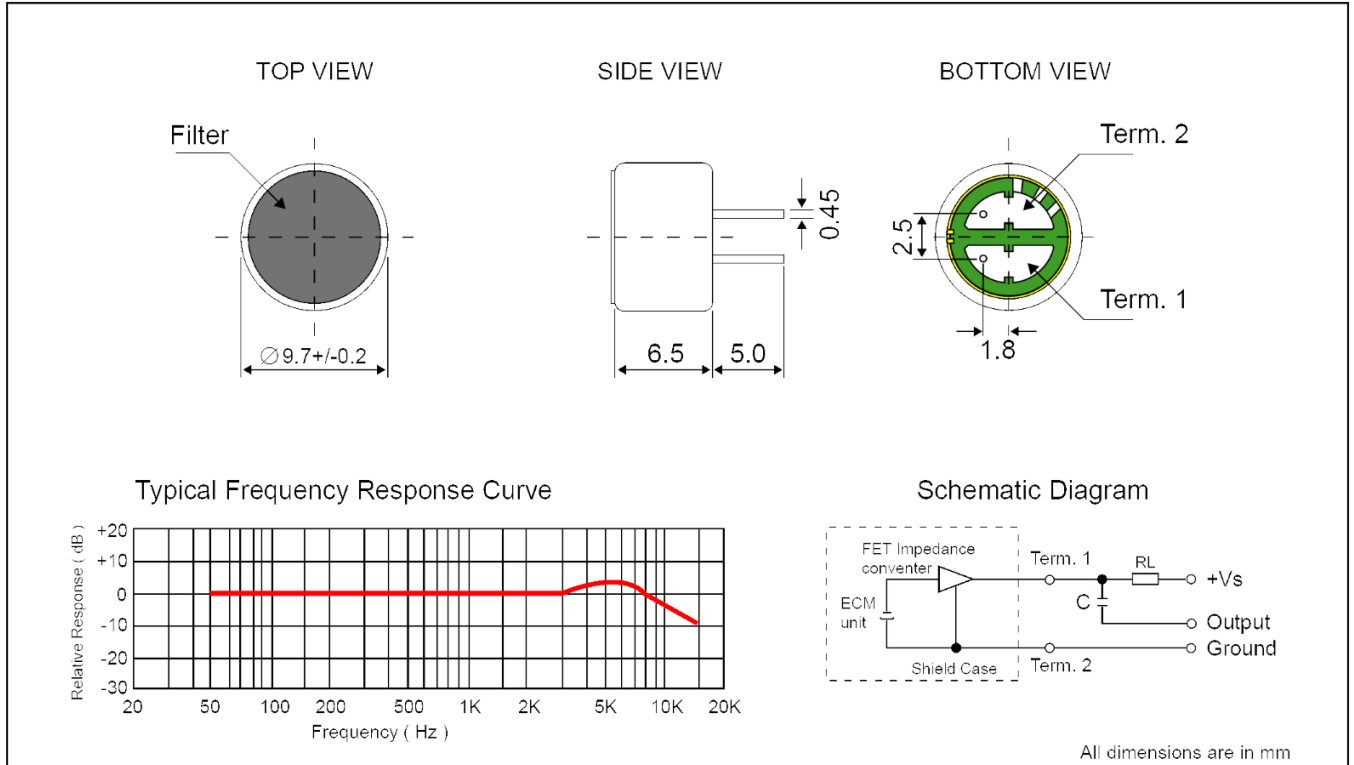


# Electret Condenser Microphone



## DIMENSIONS

Date : 23 Dec., 2010



Ref. no. : AD021-R



Sensitivity : - 44 +/- 2 dB

Vs : 1.5V

RL : 1.5K $\Omega$

## ELECTRICAL SPECIFICATIONS

Model No.	LD-MC-9765P
Sensitivity [0dB = 1V/pa, 1KHz]	See above
Impedance	Low Impedance
Directivity	Omnidirectional
Frequency	100 ~ 16K Hz
Voltage range	1.0 ~ 10V
Standard operation voltage	1.5V
Current consumption	Max. 0.5mA
Sensitivity reduction	Within -3dB at 1.0V
S/N ratio	More than 60dB