

P1

P2

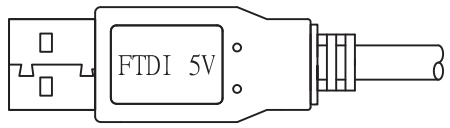
1800±20

12±0.5

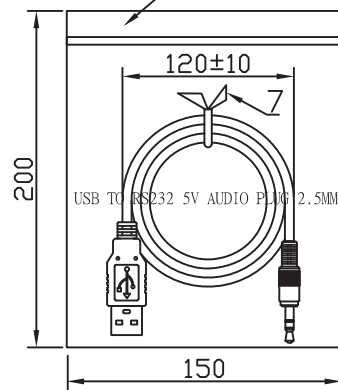
2,3,4,5

3.5.9

3 2 1



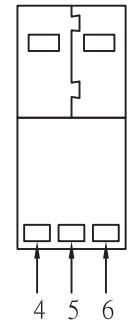
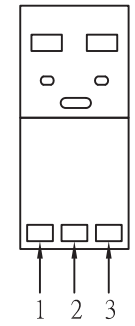
热封口



TTL-RS232-PCB

TOP

BOTTOM



PIN WIRING

P1		P2
1	RED (5V)	(VCC)
2	ORANGE	1 (TXD)
3	YELLOW	2 (RXD)
4	GREEN	(RTS#)
5	BLACK	3 (GND)
6	BROWN	(CTS#)

模具编号：P-38

- NOTES:
1. ELECTRICAL TEST: 100% OPEN, SHORT & MIS WIRE TEST.
 2. CONTACT RESISTANCE: 0.5ohm,
 3. INSULATOR RESISTANCE: 5M ohm.
 4. HIGH VOLTAGE: DC 300V 0.01sec.
 5. MUST BE ROHS COMPLIANT.

⑨	B.04025M.0N01R	CONNECTOR	AUDIO PLUG 2.5MM*4.5 3-POLE SHELL NICKEL PLATING PLASTIC: BLACK	1	PCS
⑧	I.150200.0307R	PE BAG	200*150*0.04MM PE BAG PRINTED BLACK"USB TO RS232 5V AUDIO PLUG 2.5MM	1	PCS
⑦	F.0501B0.0100R	TUBE	φ5.5*20mm HEAT TUBE COLOR BLACK	1	PCS
⑥	I.000001.0400R	TIE	TIE BLACK L=70MM	1	PCS
⑤	C.045P01.0100R	MOLDING	PVC 45P BLACK	12.5	G
④	C.000000.0000R	MOLDING	PE	2.5	G
③	J.000008.0500R	TIN WIRE	TIN WIRE OD:0.8MM	3.5	G
②	B.01004M.0N05R	CONNECTOR	TTL-RS232-PCB(5V) USB A/M CONNECTOR PLASTIC: WHITE	1	PCS
①	A.027X01.0202R	CABLE	UL2547 26AWG(7/0.16TC)*2C+S(44/0.10TC) PVC JACKET COLOR: BLACK OD=3.5±0.1mm L=1780MM	1	PCS
NO	PART NO	ITEM	DESCRIPTION	QTY	UNIT

we move the world

Title: Cable USB TTL male >
2.5 mm 3 pin stereo jack male 5 V

Dat	2015 / 09 / 09	Item no.	83788
Unit	mm	Barcode	4043619837885
Projection		File No.	88203
Rev	A		

Dat	2015 / 09 / 09
Unit	mm
Projection	
Rev	A