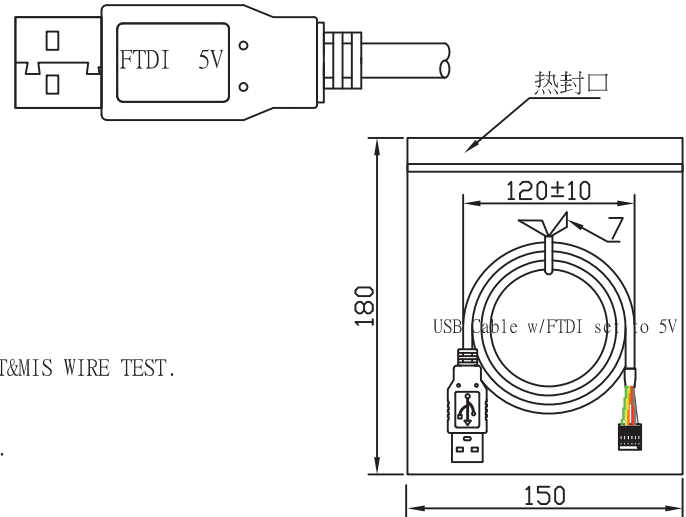
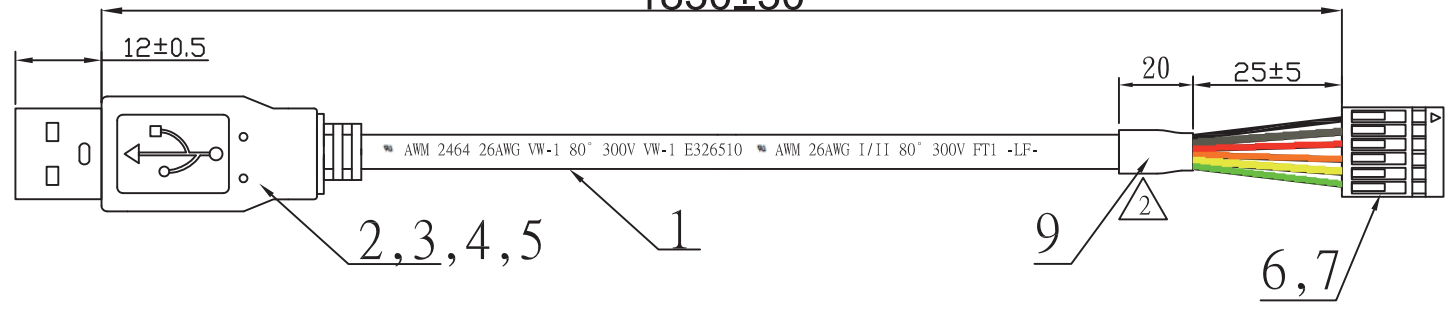


P1

P2

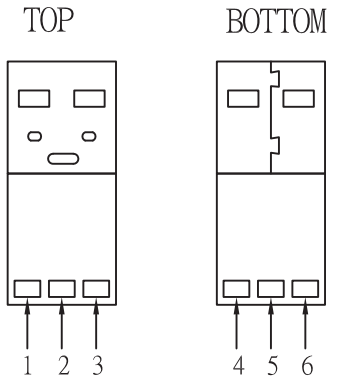
1830±30



模具编号：P-38

- NOTES:
1. ELECTRICAL TEST: 100% OPEN, SHORT & MIS WIRE TEST.
  2. CONTACT RESISTANCE: 0.5ohm,
  3. INSULATOR RESISTANCE: 5M ohm.
  4. HIGH VOLTAGE: DC 300V 0.01sec.
  5. MUST BE ROHS COMPLIANT.

TTL-RS232-PCB



PIN WIRING

P1		P2
1	RED (5V)	3 (VCC)
2	ORANGE	4 (TXD)
3	YELLOW	5 (RXD)
4	GREEN	6 (RTS#)
5	BLACK	1 (GND)
6	BROWN	2 (CTS#)

NO.	PART NO	ITEM	DESCRIPTION	Q'TY	UNIT
⑩	I.180150.0301R	PE BAG	180*150*0.04MM PE袋 PRINTED BLACK FONT"	1	PCS
⑨	F.0501B0.0100R	TUBE	USB Cable w/FTDI set to 5V"	1	PCS
⑧	I.000001.0400R	TIE	φ5.5*20mm HEAT TUBE COLOR BLACK	1	PCS
⑦	E.00254M.0600R	TIE	TIE BLACK L=70MM	1	PCS
⑥	D.00254F.1400R	HOUSING	Dupont 2.54mm 1*6P HOUSING	1	PCS
⑤	C.045P01.0100R	TERMINAL	Dupont 2.54mm TERMINAL	6	PCS
④	C.000000.0000R	MOLDING	PVC 45P BLACK	5.5	G
③	C.000000.0000R	MOLDING	PE	2.5	G
②	J.000008.0500R	TIN WIRE	TIN WIRE OD:0.8MM	3.5	G
①	B.01004M.0N05R	MOLDING	TTL-RS232-PCB(5V) USB A/M CONNECTOR PLASTIC:WHITE	1	PCS
①	A.009X01.0603R	CONNECTOR	UL2464 26AWG(7/0.16TC)*6C(RED,ORANGE, GREEN BLACK,YELLOW,BROWN)+AL FOIL PVC JACKET COLOR:BLACK OD=5.0±0.1mm L=1830MM	1	PCS



Title: Cable USB male > TTL 6 pin pin header female 5 V

Dat	2015 / 09 / 10	Item no.	83784
Unit	mm	Barcode	4043619837847
Projection		File No.	88203
Rev	A		