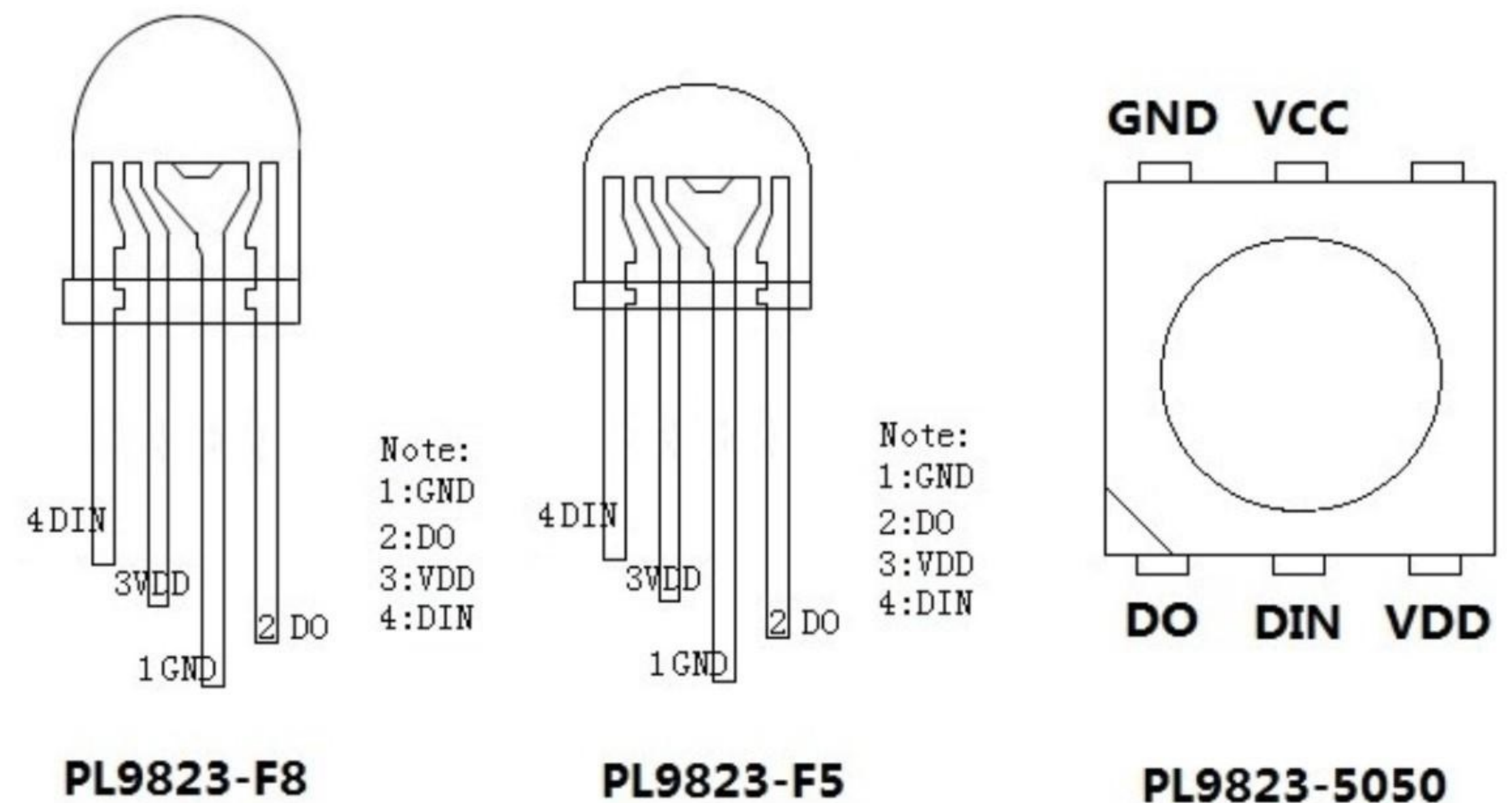


## Shift register programmable RGB Lamp

### Feature

- Power supply:DC4.5V~6V
- Integrate RGB LEDs with Control IC at same body
- Support 256 dimming level for each color
- Internal frequency up to 800KHz
- Single wire signal transmission(clock and Date)
- To be controlled by external MCU to achieve target image
- Available on  $\phi$  5mm,  $\phi$  8mm and SMD5050 Package type
- No external component required

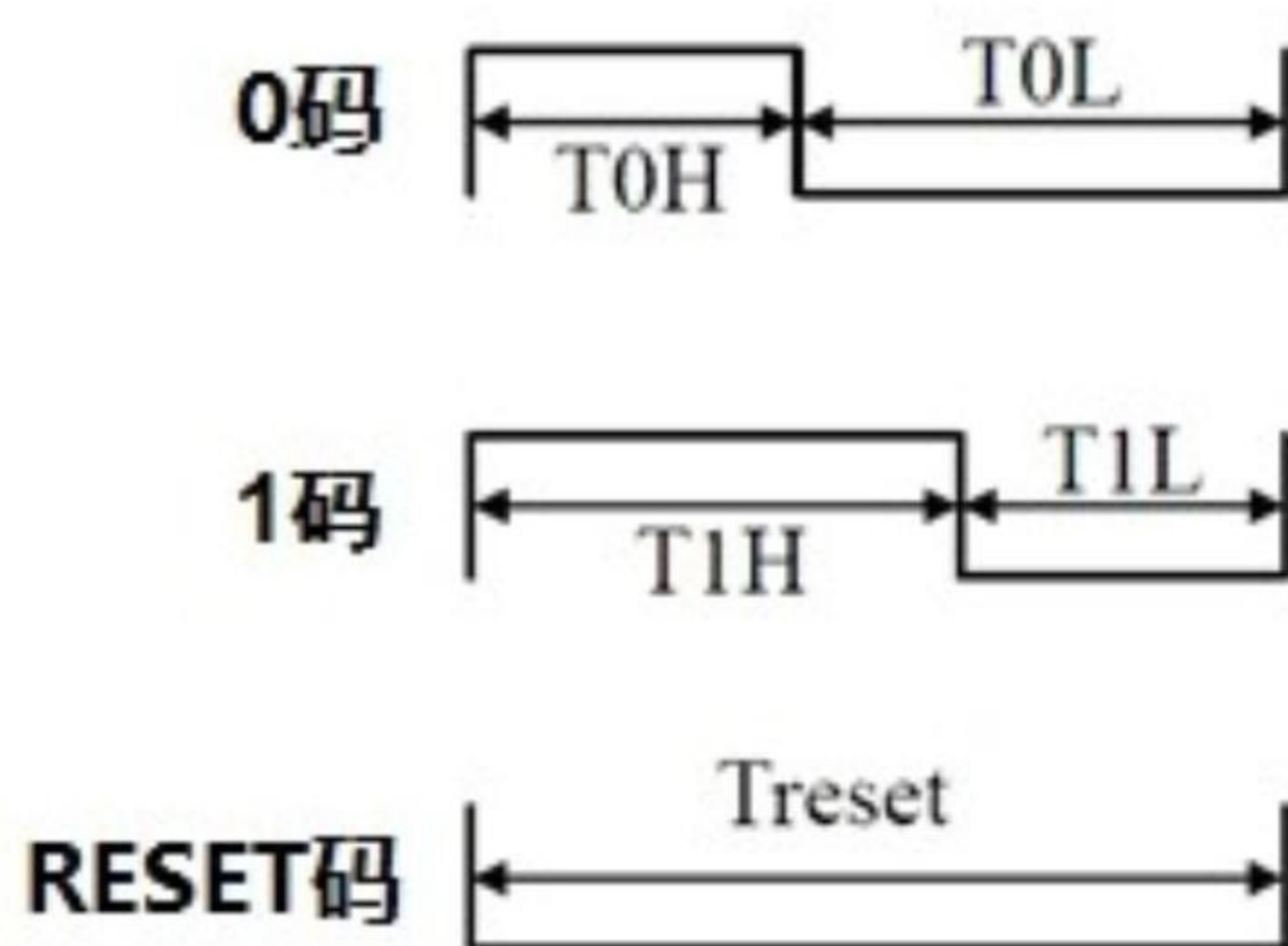
### Package Type



### Package selection

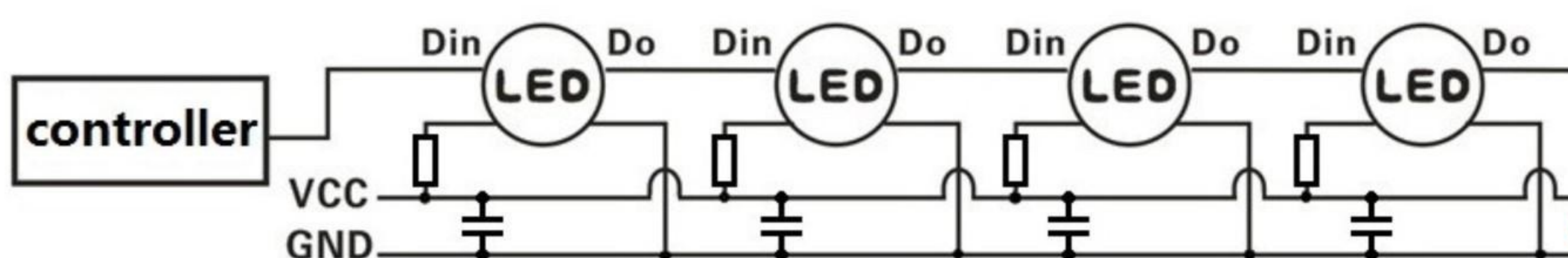
PART NO.	Package
PL9823-F8	$\phi$ 8mm
PL9823-F5	$\phi$ 5mm
PL9823-5050	SMD5050

### Timing waveform



Name	Description	Typically	Allowable error
T0H	0 code,high level time	0.35us	$\pm$ 150ns
T1H	1 code,high level time	1.36us	$\pm$ 150ns
T0L	0 code,low level time	1.36us	$\pm$ 150ns
T1L	1 code,low level time	0.35us	$\pm$ 150ns
RES	RESET code	50us	

### Application note



### Typical Application

● Spot light for advertsing

