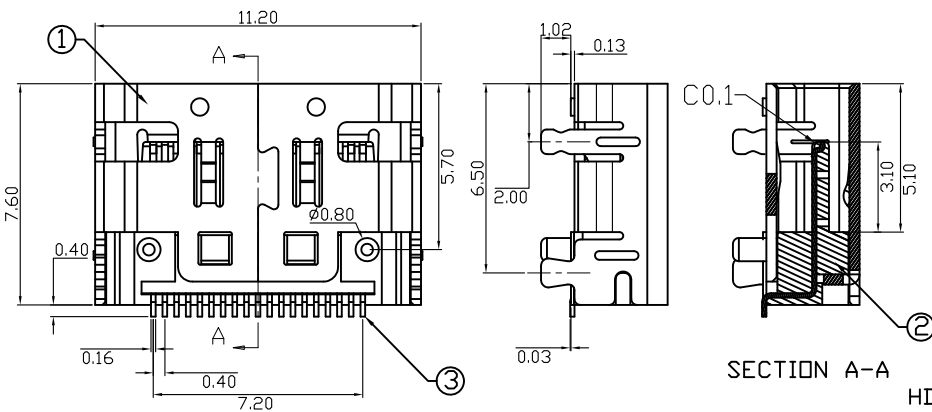
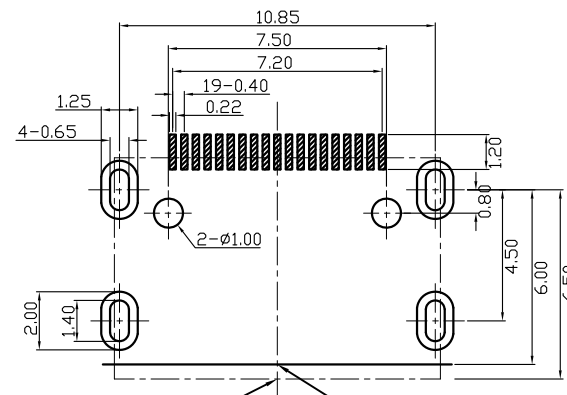


SECTION B-B



SECTION A-A

HDMI RECEPTACLE, TYPE C



COMPONENT SIDE (PCB LAYOUT)

Specification:

- ❖ Contact Resistance: Unmated Plug Socket, 30m Ohm. Maximum.
Mated Plug Socket, 60m Ohm. Maximum.
- ❖ Insulation Resistance: 100M Ohm Min. At 500 VDC.
- ❖ Rated Voltage And Current: AC 40V,0.5A Minimum.
- ❖ Dielectric Withstanding Voltage: 500V AC (rms) For 1 Minute.
- ❖ Insertion Force: Type C- 44.1N Maximum.
- ❖ Extraction Force: Type C- 7N Minimum,25N Maximum.
- ❖ Durability:
Life Test After: Type C-Insertion/Extraction Force: 7N Minimum.
- ❖ Operating Temperature: -20°C ~ +85°C.

NO.	NAME	MATERIAL	FINISH	Q'TY	REMARK
1	FRONT SHELL	BRASS T=0.35	Nickel PLATED	1	Plated Ni80-120u'
2	BODY	LCP+GF30%	BLACK	1	
3	TERMINAL	PHOS.BRONZE T:0.15	GOLD/TIN PLATED	19	Plated Gold; Ni40-60u' Tini20-200u'

206G-S X A N-R01
1 2 3 4 5

1.Type
S: SMT Type

2.Contact Plating
A:Gold Flash
E:15u" Gold Plating
G:30u" Gold Plating

3.Metal Shell Type
A: T/H Metal shell

4.Shell Plating
N: Nickel plated

5.RoHS

REV.	DESCRIPTION	DATE	REV.	DESCRIPTION	DATE	SIZE	REV.	FILE NAME
1			4			A4	1.0	206G-SXAN-R01_B_1

UNLESS OTHERWISE SPECIFIED TOLERANCE		
ANGLES	ANG.	±5°
LINEAR	0.	±0.3
	0.0	±0.25
	0.00	±0.20
SCALE	AS SHOWN	UNIT: mm
DRAWN	Willis	2012/08/03
CHECKED	Angel	2012/08/03
APPROVED	Ken	2012/08/03

DRAWN NAME:		www.attend.com.tw	
HDMI C Type Connector		PRODUCT NO. 206G-S X AN-R01	
Solder Tail:SMD Type, Shell:DIP Type		FILE NAME	

